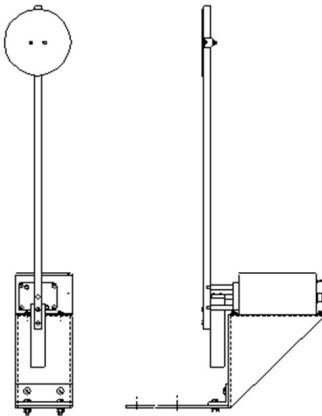
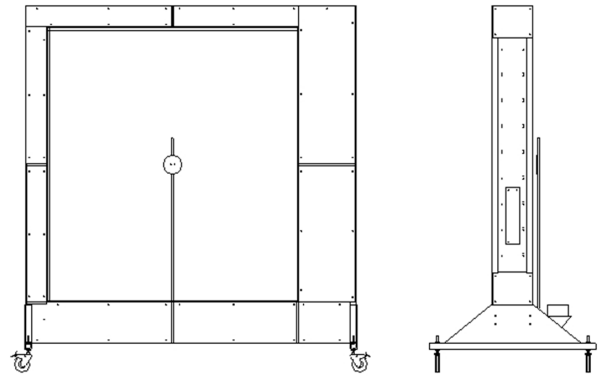


## LAOT AIMING MARK MECHANISM



**Aiming Mark attachment**



**Aiming Mark shown fixed to Large Area Optical Target**

The aiming mark consists of an actuator that swings an aiming point indicator (attached to an extender metal rod) into or out of the target area under computer control. There is a variety of aiming point indicators that can be attached to the actuator. The most common is a white disc with a set of cross hairs.

The unit is attached to a Large Area Optical Target (LAOT) and is powered and controlled by the target.

Main features of the Pop-Up aiming mark:

- LAOT powered supply.
- Remote Control from Range Processor controlling LAOT
- Aiming Point Indicator
- When aiming point is raised, control software is disabled.

### SPECIFICATION

#### General Specification

Aiming Mark Height	Adjustable
Manual mode switch	Raise / Lower